

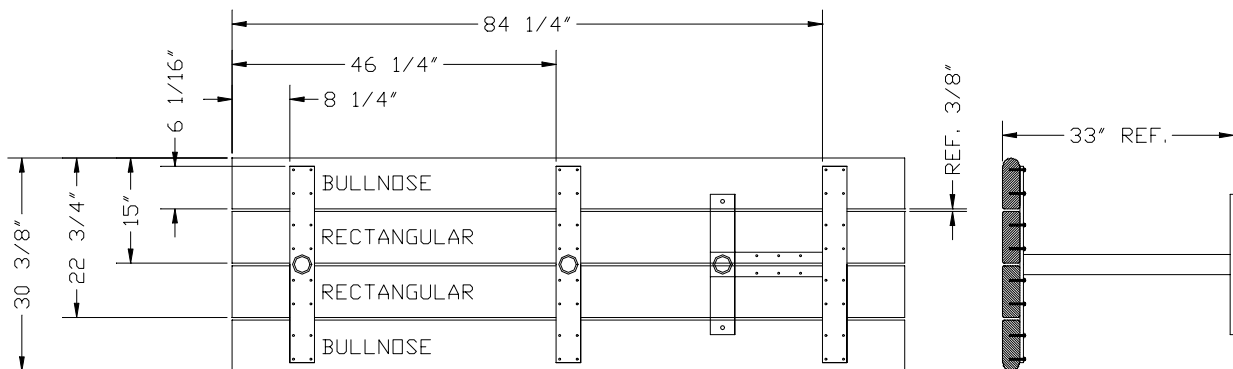
ASSEMBLY AND MOUNTING INSTRUCTIONS – FORESITE DESIGNS
 8 FOOT TABLE, PARK SCAPE DESIGN 180101 AND 180102

PAGE 1

ASSEMBLY INSTRUCTIONS: ACCESSIBLE TABLE 8 FOOT LENGTH 180101, 180102

1. Unpack and lay out pieces to assemble. Verify that the parts, quantity, and dimensions match those on the enclosed bill of material.
2. Begin by placing two bull nose boards down on the ground or work area with curved side facing away from each other. Place the two rectangular boards between the two bull nose boards. Begin with one bull nose board and use other boards as working shims.
3. Place one weldment with plate having 16 drilled holes down against the boards and locate plate at a distance of 8 1/4 inches from plate side edge to end of bull nose and at a distance of 6 1/16 inches from plate end edge to flat side of bull nose. Use a hand square to line up plate on the bull nose surface. See diagram 1.
4. Drill 5/32 diameter pilot hole (four places) into the board and install four 1/4 x 2 screws into the board. (use end 4 holes in metal plate of weldment as a drill guide)
5. Place the second weldment with offset plate having 16 drilled holes down against the board and locate at a distance of 46 1/4 inches from plate side edge to same end of bull nose used in step 4 and at a distance of 6 1/16 inches from plate end edge to flat side of bull nose. Use a hand square to line up plate on the bull nose surface. See diagram 1.
6. Drill 5/32 diameter pilot hole (four places) into the board and install four 1/4 x 2 screws into the board. (use end 4 holes in metal plate of weldment as a drill guide)
7. Place the third weldment with plate having 16 drilled holes down against the board and locate at a distance of 84 1/4 inches from plate side edge to same end of bull nose used in step 4 and at a distance of 6 1/16 inches from plate end edge to flat side of bull nose. Use a hand square to line up plate on the bull nose surface. See diagram 1
8. Locate one rectangular board at a distance of 8 1/4 inches from plate side edge to end of board and at a distance of 15 inches from extreme curved side of secured bull nose at both ends of rect. board. (Ref. 3/8 inch gap between sides of boards at each end.) See diagram 1.
9. Drill 5/32 diameter pilot hole (twelve places) into the board and install twelve 1/4 x 2 screws into the board. (use second line of 4 holes in metal plate of weldment as a drill guide)
10. Locate second rectangular board at a distance of 8 1/4 inches from plate side edge to end of board and at a distance of 22 3/4 inches from extreme curved side of secured bull nose at both ends of rectangular board. (Ref. 3/8 inch gap between sides of rectangular boards at each end.)
11. Drill 5/32 diameter pilot hole (twelve places) into the board and install twelve 1/4 x 2 screws into the board. (use third line of 4 holes in metal plate of weldment as a drill guide)
12. Locate second bull nose board at a distance of 8 1/4 inches from plate side edge to end of board and at a distance of 30 3/8 inches from extreme curved sides of two bull nose boards at both ends. (Ref. 3/8 inch gap between sides of rectangular boards at each end.)

DIAGRAM 1: TABLE 8 FOOT LENGTH SURFACE 180101 SHOWN



13. Drill 5/32 diameter pilot hole (twelve places) into the board and install twelve 1/4 x 2 screws into the board. (use fourth line of 4 holes in metal plate of weldment as a drill guide)

ASSEMBLY AND MOUNTING INSTRUCTIONS – FORESITE DESIGNS
8 FOOT TABLE, PARK SCAPE DESIGN 180101 AND 180102

PAGE 2

14. Drill 5/32 diameter pilot hole (six places) into the two rectangular boards using the offset plate as a drill guide and install six ¼ x 2 screws into the boards.
15. Check square ness of table before tightening screws.

MOUNTING INSTRUCTIONS: TABLE 8 FOOT LENGTH 180101, 180102

1. Surface mount table 180101 mounts with ½ inch anchors into concrete surface at dimensions as shown on diagram 2.
2. Embedded mount table 180102 mounts by setting in filled holes at dimensions as shown on diagram 2.

DIAGRAM 2: TABLE 8 FOOT LENGTH, SHOWN ARE
SURFACE 180101 CONCRETE ANCHORS 6 PLACES
EMBEDDED 180102 FILLED HOLES 3 PLACES

