

ASSEMBLY INSTRUCTIONS: BENCH 2 FOOT LENGTH 140501 and 140502

1. Unpack and lay out pieces to assemble. Verify that the parts, quantity and dimensions match those on the enclosed bill of material.
2. Begin by setting up two support frame weldments on a smooth, level surface roughly 12 inches apart on centers laying them on their back with “seat” in a “vertical” direction. See diagram 1.
3. Make marks on each plate at a distance of 2 5/8 and 6 5/8 inches from the end of the plate. Diagram 2.
4. Locate one bull nose board on the weldment at a distance of 4 inches from end of the board to edge of weldment plate and flat edge on the 6 5/8 inch mark. Make certain curved edge is facing bend in plate.
5. Clamp board to weldment and locate the other weldment at distance of 16 1/2 inches from end of board and the board flat edge on the 6 5/8 inch mark. Clamp board to weldment. Use a hand square to align plates perpendicular to board. See diagram 2.
6. Drill 5/32 diameter pilot hole (four places) into the board and install four 1/4 x 2 screws into the board. (Use end line of 2 holes in metal plates of weldment as a drill guide). Diagram 2
7. Set one rectangular board at a distance of 4 inches from plate side edge to end of board with flat edge on the 2 5/8 inch marks. Suggest placing a 1/2 inch thick spacer between the bull nose and rectangular board at each end to maintain 3/4 inch gap. Clamp board in place. See diagram 2.
8. Drill 5/32 diameter pilot hole (four places) into the board and install four 1/4 x 2 screws into the board. (use second line of 2 holes in metal plates of weldment as a drill guide). Diagram 2.
9. Locate second bull nose board at a distance of 4 inches from plate side edge to end of board and at a gap distance of 1/2 inch between bull nose and middle rectangular board. Suggest placing a 1/2 inch thick spacer between the bull nose and rectangular board at each end to maintain 3/4 inch gap. See diagram 2.
10. Drill 5/32 diameter pilot hole (four places) into the board and install four 1/4 x 2 screws into the board. (use fourth line of 2 holes in metal plate of weldment as a drill guide)
11. Check square ness of boards with plates with hand square before tightening screws.
12. Set the bench upright to fasten the boards on the back. Check that weldments are vertical when bench is upright on level surface. With 140502 will have to fasten boards with seat edge down.

DIAGRAM 1: BENCH 2 FOOT LENGTH SURFACE 140501 & 140502

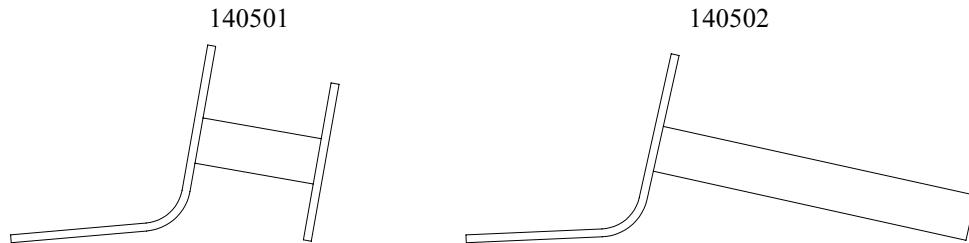
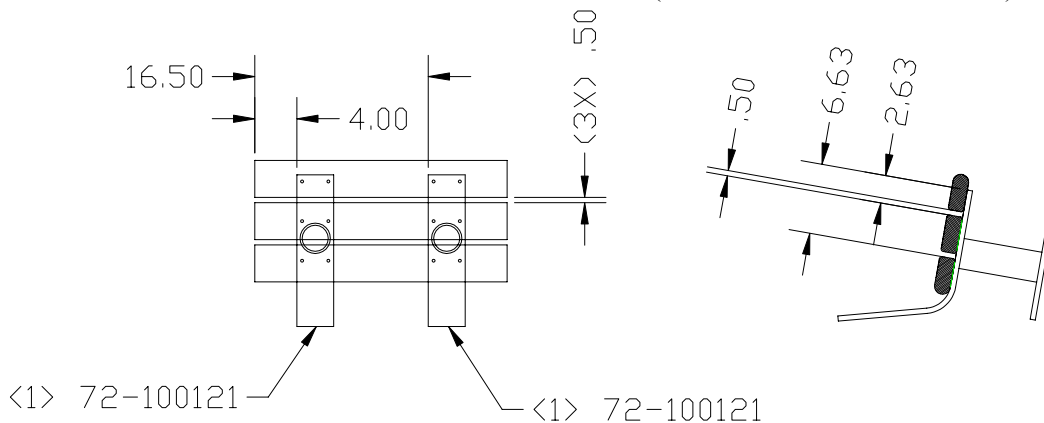


DIAGRAM 2: BENCH 2 FOOT LENGTH 140501 SHOWN (ATTACHING SEAT BOARDS)

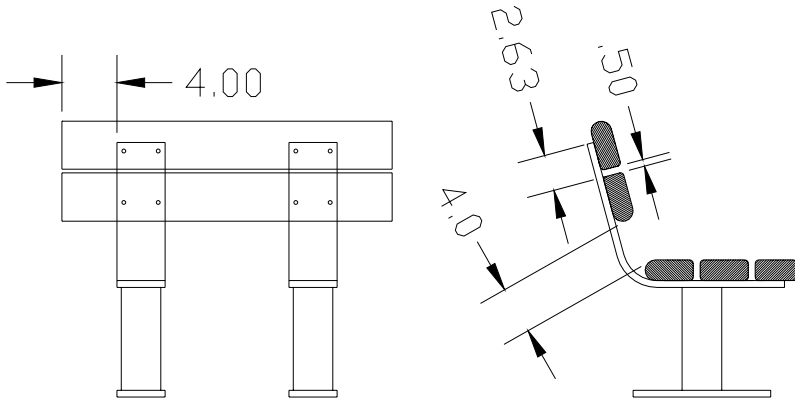


ASSEMBLY AND MOUNTING INSTRUCTIONS – FORESITE DESIGNS®  
 2 FOOT BENCH PARK SCAPES™ DESIGN 140501 AND 140502

PAGE 2

13. Make a mark on each plate at a distance of 2 5/8 inches from the end of the plate. Diagram 2
14. Locate one bull nose board on the weldment at a distance of 4 inches from end of the board to edge of weldment plate with flat edge of board on the 2 5/8 inch marks. Make certain curved edge is facing bend in plate. Clamp board in place. See diagram 3. **IMPORTANT: Make sure that the distance between the two bull nose boards where seat meets the back measures 4 inches or less. Adjust the board on the back to meet 4 inch maximum dimension.**
15. Drill 5/32 diameter pilot hole (four places) into the board and install four 1/4 x 2 screws into the board. (use third line of 2 holes in metal plate of weldments as a drill guide) Diagram 3.
16. Locate second bull nose board at a distance of 4 inches from plate side edge to end of board with a gap distance of 1/2 inches between bull nose and rectangular boards at both ends. Suggest placing a 1/2-inch thick spacer between the two flat edges of board at each end to maintain 1/2 inch gap. Clamp board in place. See diagram3.
17. Drill 5/32 diameter pilot hole (four places) into the board and install four 1/4 x 2 screws into the board. (use third line of 2 holes in metal plate of weldments as a drill guide) Diagram 3.
18. Check square ness of boards with plates before tightening all screws.

DIAGRAM 3: BENCH 2 FOOT LENGTH 140501 SHOWN (ATTACHING BACK BOARDS)

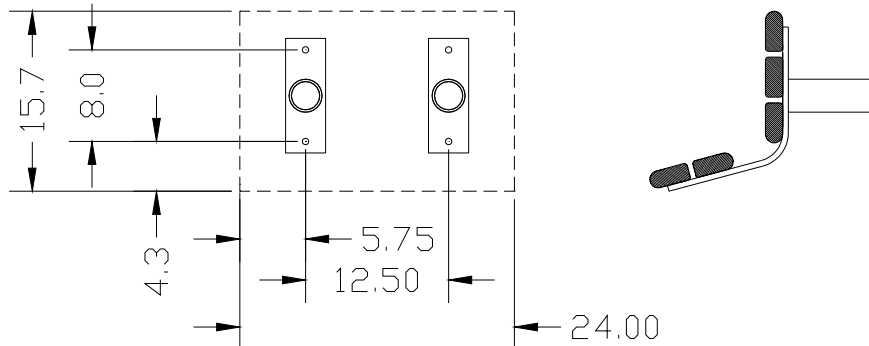


MOUNTING INSTRUCTIONS: BENCH 2 FOOT LENGTH 140501, 140502,

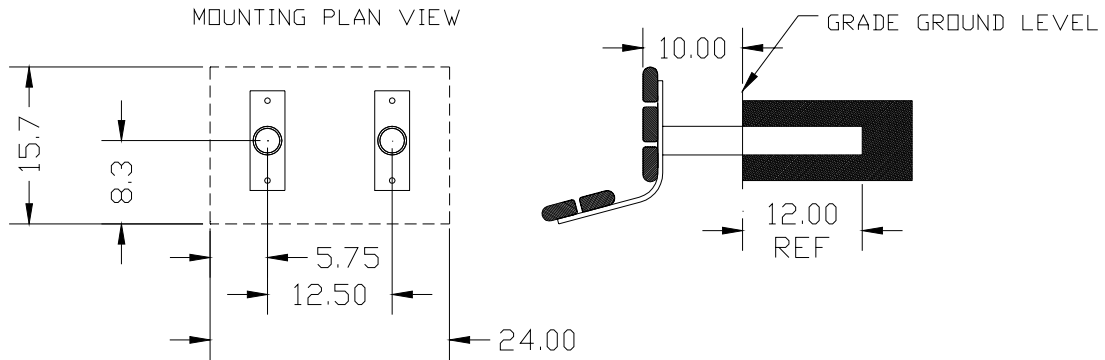
1. Surface mount bench 140501 mounts with 1/2 inch anchors into concrete surface at dimensions as shown on diagram 4.
2. Embedded mount bench 140502 mounts by setting in filled holes at dimensions as shown on diagram 4.

DIAGRAM 4: BENCH 2 FOOT LENGTH, SHOWN ARE  
 SURFACE 140501 CONCRETE ANCHORS 4 PLACES  
 EMBEDDED 140502 HOLES 2 PLACES

SURFACE 140501



EMBEDDED 140502



<b>BILL OF MATERIAL - 140501</b>		
<b>PART #</b>	<b>DESCRIPTION</b>	<b>QTY</b>
72-100121	WELDMNT, BENCH, SURFACE MT	2
	2 X 4 X 24" BULL-NOSE PLASTIC LUMBER	4
	2 X 4 X 24" ROUND CORNER PLASTIC LUMBER	1
71-0017	FASTENER KIT	1

<b>BILL OF MATERIAL - 140502</b>		
<b>PART #</b>	<b>DESCRIPTION</b>	<b>QTY</b>
72-100117	WELDMNT, BENCH, EMBEDDED	2
	2 X 4 X 24" BULL-NOSE PLASTIC LUMBER	4
	2 X 4 X 24" ROUND CORNER PLASTIC LUMBER	1
71-0017	FASTENER KIT	1